

AB 900

Safety valve protect to water hammering
Protection overpressure

Technical Data Sheet



Description

The valves AB 900 has the function of protecting the pipes against overpressure, (water hammering), whatever its origin, by evacuating the water in excess straightaway.

The mechanism consists of a spring which is adjustable to the correct weight to hold the valve firmly in place against the seat. When a pressure wave occurs, this causes compression of the spring and the opening of the valve to allow evacuation of the water.

It should be noted that the stem is designed to compensate for defect of alignment which could be caused by hydraulic pressure on the valve and by the force of the spring.



AB 900

Safety valve protect to water hammering / Protection overpressure

DN		PN	PFA in bar	Ref.	Settings available	Weight Kg
"	mm					
2 1/4	60	10/16	16	149B5891	A / B / C	30
2 1/2	65	10/16	16	149B5892	A / B / C	30
3	80	10/16	16	149B5893	A / B / C	32
4	100	10/16	16	149B5894	A / B / C	36
5	125	10/16	16	149B5895	A / B / C	65
6	150	10/16	16	149B5896	A / B / C	80
8	200	10	10	149B5897A	1 to 10 bar	120
8	200	16	16	149B5897C	9 to 16 bar to	120
2 1/4	60	25	25	149B009172	16 to 25 bar	30
2 1/2	65	25	25	149B009174	16 to 25 bar	30
3	80	25	25	149B009175	16 to 25 bar	32
4	100	25	25	149B009176	16 to 25 bar	36
5	125	25	25	149B009178	16 to 25 bar	65
6	150	25	25	149B009179	16 to 25 bar	80

Settings available :

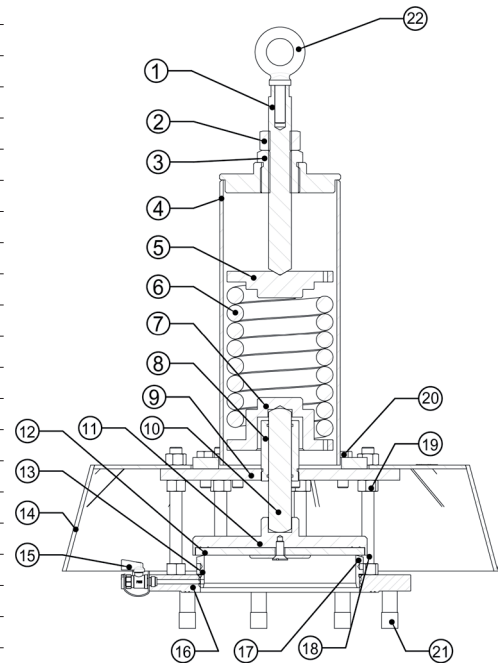
- A : 1 to 7 bar
- B : 6 to 12 bar
- C : 10 to 16 bar

Technical features

Operating temperature	0 °C to 60 °C
Permissible operating pressure (PFA) in water	See table above
Connection	Flanges drilled PN (See table above)
Mediums	Clear liquids

Nomenclature and materials

N°	Designation	Materials	EURO	ANSI	
1	Regulating screw	Stainless steel	X5CrNi18-10	AISI 304	
2	Nut	Stainless steel	X5CrNi18-10	AISI 304	
3	Upper nut	Bronze	CuSnZn4Pb7-B		
4	Cap	DN 60 to 125	Cast iron / Epoxy	EN-GJL-250	ASTM A 48 35 B
		DN 150 to 200	Steel + epoxy		
5	Upper guide	Steel + epoxy			
6	Spring	Steel + epoxy			
7	Lower guide	Steel + epoxy			
8	Bearing	Bronze	CuSnZn4Pb7-B		
9	Upper flange	Steel + epoxy			
10	Shaft	Stainless steel	X2CrNi18-9	AISI 304L	
11	Closing system	Steel + epoxy			
12	Seal	Polyurethane			
13	O-ring	EPDM			
14	Cover	Steel + epoxy			
15	Ball valve M/F	Brass			
16	Lower flange	Steel + epoxy			
17	Seat	Stainless steel	X5CrNiMo17-12-2	AISI 316	
18	Threaded stem	Stainless steel	X5CrNi18-10	AISI 304	
19	Nut	Stainless steel	X5CrNi18-10	AISI 304	
20	Screw	Stainless steel	X5CrNi18-10	AISI 304	
21	Threaded stem	DN 200	Stainless steel	X5CrNi18-10	AISI 304
22	Eye bolt	DN 150 to 200	Galvanised steel		



Approvals

ACS

International construction Standards :
Flange drilling according to EN1092-2

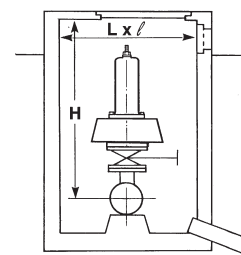
Application

Water distribution.

Installation

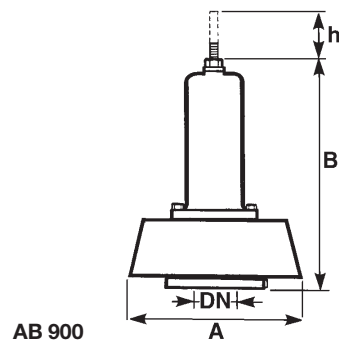
DN	H	L x l
mm	mm	mm
60-65	1200	1500 x 1500
80	1200	1500 x 1500
100	1200	1500 x 1500
125	1500	1700 x 1700
150	1500	1700 x 1700
200	1700	1700 x 1700

AB 900 - Vertical mounting



Sizing

DN		A	B	h
"	mm	mm	mm	mm
2 1/4	60	380	510	120
2 1/2	65	380	510	120
3	80	380	510	120
4	100	400	520	120
5	125	570	550	130
6	150	570	550	150
8	200	690	700	180



The descriptions and photographs contained in this product specification sheet are supplied by way of information only and are not binding.

Socla reserves the right to carry out any technical and design improvements to its products without prior notice. Warranty : All sales and contracts for sale are expressly conditioned on the buyer's assent to Socla terms and conditions found on its website at www.socla.com. Socla hereby objects to any term, different from or additional to Socla terms, contained in any buyer communication in any form, unless agreed to in a writing signed by an officer of Socla.



A WATTS Brand

Socla sas

365 rue du Lieutenant Putier • 71530 Virey-Le-Grand • France

Tel. +33 03 85 97 42 00 • Fax +33 03 85 97 42 42

contact@wattswater.com • www.socla.com

ISO 9001 version 2015 / ISO 18001