

211 BL

Non-return axial guided valve

01 System

Technical Data Sheet



Description

The non-return axial guided valve 211 BL has been developed to meet the requirements of NF anti-pollution.

- Operates in any position
- Minimum head loss
- Silent and robust
- Does not generate hammering
- Closing system : double axial guiding with return spring
- Excellent sealing at high as at low pressure ensured by a specially designed lip-ring seal
- 1/4 drilled and sealed bosses



211 BL

Non-return axial guided valve - 01 System

DN A (*) mm	PFA in bar	PS in bar				Cat.	Ref.	Weight Kg
		L1	L2	G1	G2			
15	10	10	10	10	10	3.3	149B3130	0,190
22	10	10	10	10	10	3.3	149B3131	0,260

(*) Copper tube external DN

Important notice :

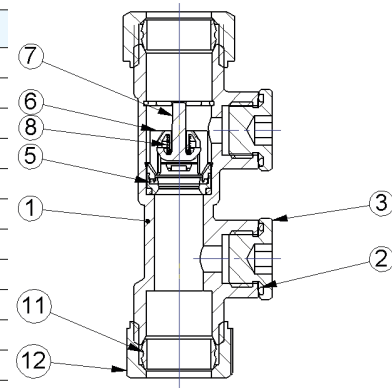
The indicated pressure for the different categories of fluids (L1/L2/G1/G2) is under no condition a guarantee of use. Therefore, it is essential to validate the use of products under given operating conditions. The operating instructions are available on our web site www.socla.com or by requesting from our sales department.

Technical features

Operating temperature	-10 °C to 80 °C
Permissible operating pressure (PFA) in water	See table above
Maximum permissible pressure (PS) other mediums	See table above
Connection	Compression fittings
Mediums	Clear liquids, water, gas

Nomenclature and materials

N°	Description	Materials	EURO	ANSI
1	Body	DZR Brass	CuZn36Pb2As	
2	Guide	DN 15 mm	POM (polyacetal)	
		DN 22 mm	PPO	
3	Closing system	POM (polyacetal)		
4	Lip ring	EPDM		
5	Spring	Stainless steel	X10CrNi18-8	AISI 302
6	Ring	DZR Brass	CuZn36Pb2As	
7	Nut	DZR Brass	CuZn36Pb2As	
8	Plugs	Brass	CuZn36Pb2	
9	Seal	EPDM		
10	Circlips	DN 15 mm	Stainless steel	X5CrNi18-10



Approvals

kiwa

International construction Standards :
NF Antipollution according to NF EN 13959

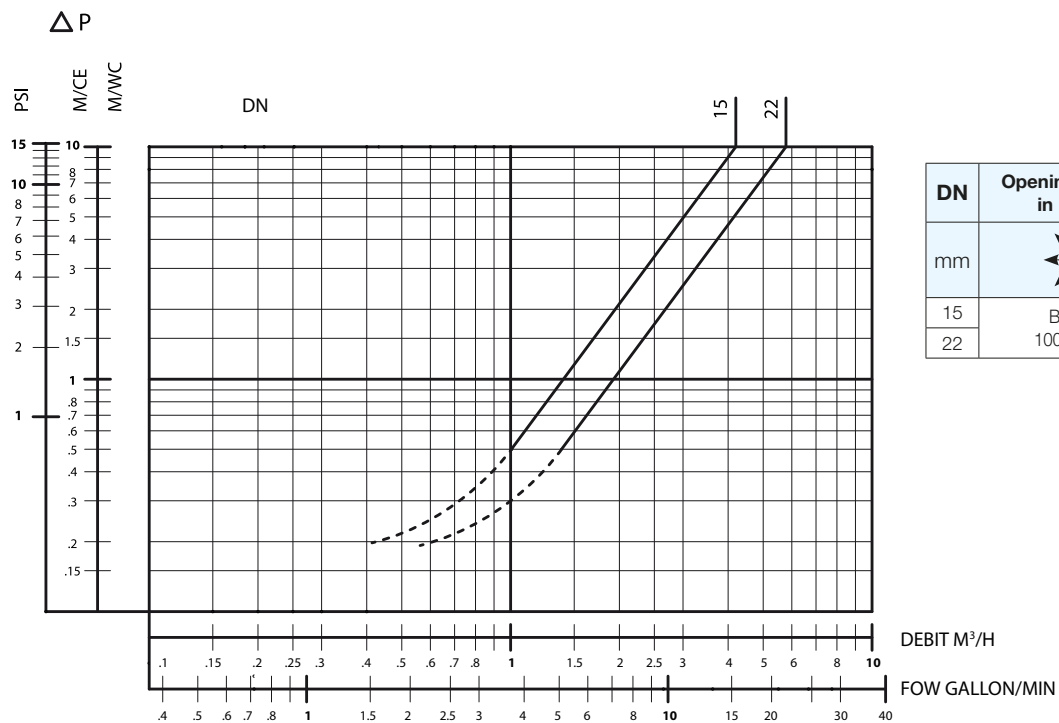
Application

Protection of drinking water networks, heating, industry.

Operation

Direction for use :

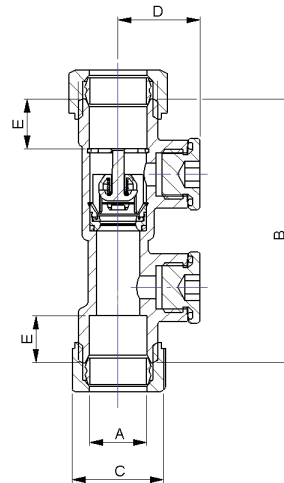
- Solid line : Valve completely open
- Dotted line : opening stage of valve



211 BL - Headloss chart

Sizing

A	B	C	D	E
mm	mm	mm	mm	mm
15	86	24	22	12,5
22	86	32	25	12,5



211 BL

The descriptions and photographs contained in this product specification sheet are supplied by way of information only and are not binding.

Socla reserves the right to carry out any technical and design improvements to its products without prior notice. Warranty : All sales and contracts for sale are expressly conditioned on the buyer's assent to Socla terms and conditions found on its website at www.socla.com. Socla hereby objects to any term, different from or additional to Socla terms, contained in any buyer communication in any form, unless agreed to in a writing signed by an officer of Socla.



A WATTS Brand

Socla sas

365 rue du Lieutenant Putier • 71530 Virey-Le-Grand • France
Tel. +33 03 85 97 42 00 • Fax +33 03 85 97 42 42
contact@wattswater.com • www.socla.com
ISO 9001 version 2015 / ISO 18001