

# EDP CA2096

Backflow preventer CA-a set of protection

## Technical data sheet



## Description

Set of protection CA 2096 provides a protection “ready-to-install” in conformity with the installation rules. The set of protection CA 2096 is delivered unassembled and is composed by:

- Backflow preventer CA 2096
- Two interchangeable units (according to the direction of flow) made with:
- Ball valve with drainer
- Nuts and o’ring

The CA2096 backflow preventer is a device with 2 check valves separated with a zone connected to the atmosphere. The closing of this chamber is due to a closing system linked to the upstream valve. In case of upstream pressure drop or downstream overpressure with leaking second check valve, the middle section is open to the atmosphere, this separates the upstream and downstream circuits and prohibits any polluted water backflow in the device



### EDP CA2096

Set of protection CA2096

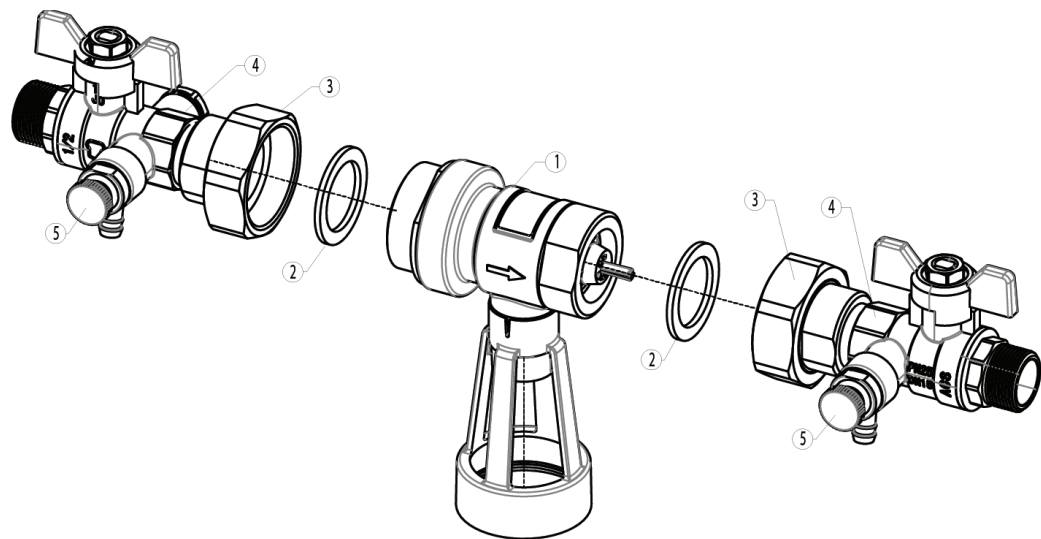
DN		PFA in bar	Acoustic group	Ref.	Weight Kg
"	mm				
1/2	15	10	I	<b>149B3800</b>	1,05
3/4	20	10	II	<b>149B3801</b>	1,2

#### Technical features

Operating temperature	Maxi. 65 °C
Permissible operating pressure (PFA) in water	10 bar
Connection	Male/male, threaded
Mediums	Drinking water

#### Nomenclature and materials

N°	Description	Materials
1	CA 2096	See <a href="#">datasheet CA2096</a>
2	Seal	EPDM
3	Union nuts	Brass
4	Ball valve	Brass
5	Drainer	Brass - POM color blue




## Approvals

---

**EDP CA2096 : ACS**

**CA2096 :**

Réf.149B3540 and 149B3541 **ACS** 

**International construction standards :**

EN 1717 - EN14367

Thread connection according to EN ISO 228-1 or ISO 7.1

## Application

---

The set of protection CA2906 is designed to protect low risk or intermittent risk installations which nevertheless require a backflow prevention system :

It is recommended for:

- Domestic heating systems bellow 70kW, e.g filling the primary circuit of a heat pump
- Automatic beverage dispensers,
- Collective dishwashers
- Coffee machines (catering)
- Water fountains

## Installation

---

Set of protection CA2096 must be installed by a qualified technician. A clear area of 150 mm around the valve should be maintained to allow ease maintenance and installation. The valve should not be installed where there is any possibility of the air gap becoming submerged or flooded.

Directions for installation :

- Total accessibility
- Horizontal position
- non-submersible installation
- purge carefully all air from the installation (non polluted atmosphere)
- the discharge valve must be able to get the discharge flow rate
- protection against frost or extreme temperatures

Procedure:

- Clean and flush the water supply pipes,
- Install the protection assembly horizontally, respecting the direction of fluid indicated by the arrow engraved on the body of the CA2096 backflow preventer
- Air gap must be connected to a Ø40mm drain pipe.

## Maintenance

---

Backflow preventer EDP CA2096 is a sanitary safety device that has to be checked regularly (at least once a year).

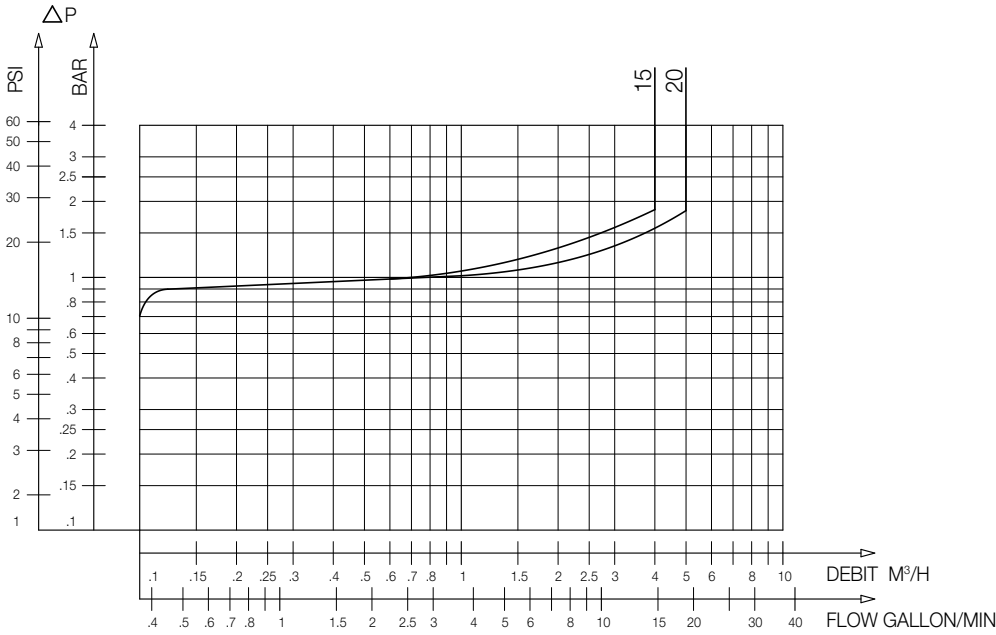
Isolating valves and drainers allow to check safety devices: tightness of isolating valves and upstream and downstream check valves, opening of the relief valve.

CAa backflow preventers cannot be repaired. In case of malfunction it must be replaced.

# Operation

**Direction for use :**

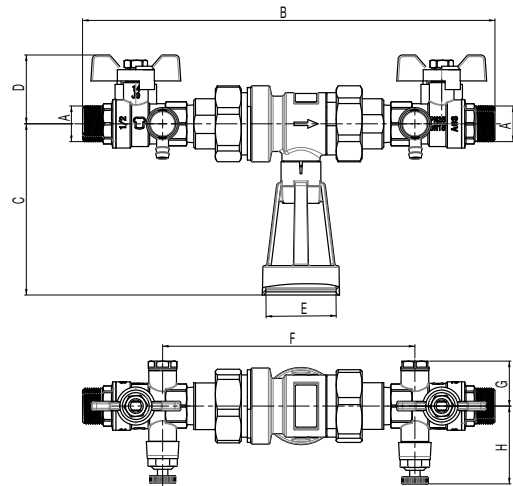
- Solid line: Valve completely open



CA2096 - Headloss chart

# Sizing

DN	A	B	C	D	E	F	G	H
mm	"	mm	mm	mm	mm	mm	mm	mm
15	1/2	239	99	40	40	146	26	45
20	3/4	256	99	43	40	151	29	48



EDP CA2096

The descriptions and photographs contained in this product specification sheet are supplied by way of information only and are not binding.

Watts reserves the right to carry out any technical and design improvements to its products without prior notice. Warranty : All sales and contracts for sale are expressly conditioned on the buyer's assent to Watts terms and conditions found on its website at [www.watts.com](http://www.watts.com). Watts hereby objects to any term, different from or additional to Socla terms, contained in any buyer communication in any form, unless agreed to in a writing signed by an officer of Watts.



A WATTS Brand

Socla sas

365 rue du Lieutenant Putier • 71530 Virey-Le-Grand • France

Tél. +33 03 85 97 42 00 • Fax +33 03 85 97 42 42

contact@wattswater.com • [www.socla.com](http://www.socla.com)

ISO 9001 / ISO 18001