

302X

Non-return foot valve

02 System

Technical Data Sheet



Description

Valve with very wide range of applications. It prevents water hammering, it's noiseless and the quality-price ratio is optimal.

- Operates in any position from horizontal to vertical ascending
- Minimum head loss
- Compactness
- Closing system : long back axial guiding reduced displacement
- Exceptional robustness
- Sealing guaranteed by a FKM seal
- Return spring
- Full stainless steel
- FKM seal



302X

Non-return foot valve - 02 System

DN	PN	PFA in bar	PS in bar				Cat.	Ref.	Weight Kg	
			L1	L2	G1	G2				
2	50	10/16	16	16	16	x	x	4.3	149B14714	4,3
2 1/2	65	10/16	16	16	16	x	x	4.3	149B14715	6,4
3	80	10/16	16	16	16	x	x	4.3	149B14716	9,3
4	100	10/16	16	16	16	x	x	4.3	149B14717	13,6
5	125	10/16	16	16	16	x	x	4.3	149B14718	19
6	150	10/16	16	13	16	x	x	4.3	149B14434	28
8	200	10	10	10	10	x	x	4.3	149B14719	48
10	250	10	10	10	10	x	x		149B14720	90
12	300	10	10	10	10	x	x		Consult us	133
14	350	10	10	10	10	x	x		Consult us	226
16	400	10	10	10	10	x	x		Consult us	343

Option : - Other elastomers, consult us
 Others flange drilling PN, consult us
 Spring in 316L stainless steel, consult us

Important notice :

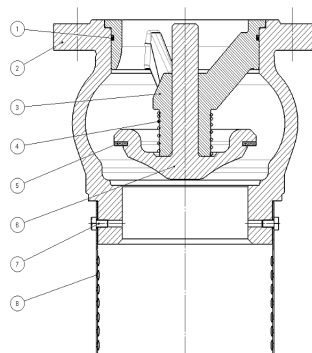
The indicated pressure for the different categories of fluids (L1/L2/G1/G2) is under no condition a guarantee of use. Therefore, it is essential to validate the use of products under given operating conditions. The operating instructions are available on our web site www.socla.com or by requesting from our sales department.

Technical features

Operating temperature	-10 °C to 140 °C
Permissible operating pressure (PFA) in water	See table above
Maximum permissible pressure (PS) other mediums	See table above
Connection	Flange drilled PN (see table)
Mediums	Corrosive liquids, sea water, hydrocarbons, clear liquids

Nomenclature and materials

N°	Description	Materials
1	O-ring	EPDM
2	Body	Stainless steel
3	Guide	Stainless steel
4	Spring	Stainless steel
5	Seal	FKM
6	Closing system	Stainless steel
7	Screw	Stainless steel
8	Strainer	Stainless steel



Approvals



International construction Standards :
 Directive 2014/68/UE
 Flange drilling according to EN 1092-2

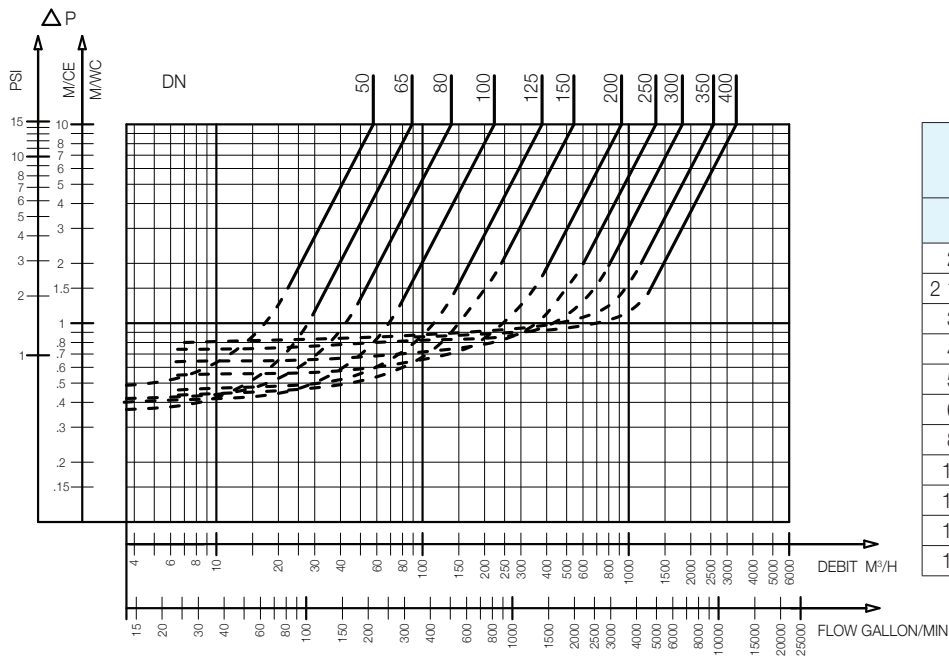
Application

Corrosive fluid pumping, industry, hydrocarbons.

Operation

Direction for use :

- Solid line : Valve completely open
- Dotted line : opening stage of valve



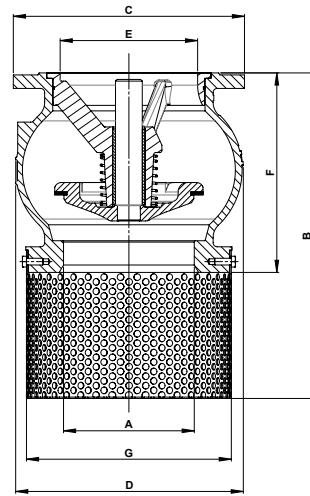
302X - Headloss chart

DN		Opening pressure in mm CE		Kv m³/H	ζ
"	mm	↑	Without spring		
2	50	230	110	57,70	3
2 1/2	65	240	130	89	3,60
3	80	280	130	138,70	3,40
4	100	290	130	223,40	3,20
5	125	350	150	380	2,70
6	150	400	170	542,25	2,75
8	200	450	190	923	3
10	250	560	250	1354,65	3,40
12	300	760	365	1821,40	3,90
14	350	810	380	2580,30	3,60
16	400	900	450	3324,35	3,70

Sizing

DN	A	B	C	D	E	F	G	
"	mm							
2	50	52	144	165	99	54	100	86
2 1/2	65	66	186	185	127	68	125	107
3	80	82	219	200	153	82	147	130
4	100	105	266	220	184	106	176	160
5	125	125	334	254	220	127	204	199
6	150	150	374	285	259	152	233	214
8	200	194	483	343	338	204	296	304
10	250	237	572	406	420	254	367	355
12	300	278	656	482	490	291	407	425
14	350	325	773	533	584	334	491	495
16	400	370	877	597	678	384	561	628

302X



DN	Perforation	Center distance
"	mm	mm
2	6	8,5
2 1/2	6	8,5
3	8	11
4	8	11
5	8	12
6	8	12
8	10	14
10	8	12
12	10	14
14	10	14
16	12	14

The descriptions and photographs contained in this product specification sheet are supplied by way of information only and are not binding.

Socla reserves the right to carry out any technical and design improvements to its products without prior notice. Warranty : All sales and contracts for sale are expressly conditioned on the buyer's assent to Socla terms and conditions found on its website at www.socla.com. Socla hereby objects to any term, different from or additional to Socla terms, contained in any buyer communication in any form, unless agreed to in a writing signed by an officer of Socla.



A WATTS Brand

Socla sas

365 rue du Lieutenant Putier • 71530 Virey-Le-Grand • France

Tel. +33 03 85 97 42 00 • Fax +33 03 85 97 42 42

contact@wattswater.com • www.socla.com