

VE320

Triple function for clear water

Technical Data Sheet



Description

The Triple function air valve VE320 allows the air control water distribution systems :

- Automatically and continuously relieves air and gases that accumulate in high points of installations
- Release or inflow of air through the large air orifice when filling or emptying the installation
- Epoxy coating inside/outside
- The stop valve allows the maintenance without emptying the installation



VE320

Triple function for clear water

DN		PN	PFA in bar	Cat.	Ref.	Weight Kg
"	mm					
2 1/4	40-50-60	10/16	16	I	149B5884	12
2 1/2	65	10/16	16	I	149B5885	12
3	80	10/16	16	I	149B5886	19
4	100	10/16	16	I	149B5887	22
2 1/4	40-50-60	25	25	I	149B009166	12
2 1/2	65	25	25	I	149B009168	12
3	80	25	25	I	149B009170	19
4	100	25	25	I	149B009171	22

With stop valve : (for other DN, please consult us)

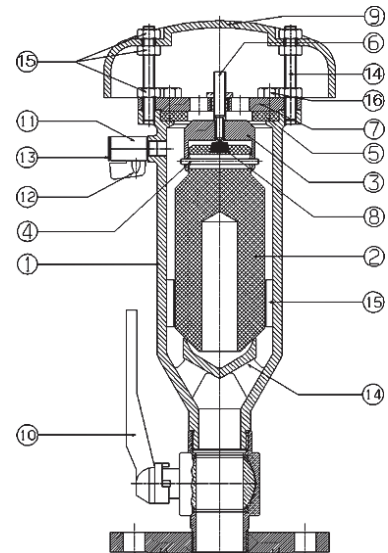
2 1/4	40-50-60	10/16	16	I	149B5884R	13
2 1/2	65	10/16	16	I	149B5885R	13
2 1/4	40-50-60	25	25	I	149B009167	13
2 1/2	65	25	25	I	149B009169	13

Technical features

Operating temperature	0 °C to 60 °C
Permissible operating pressure (PFA) in water	See table above
Connection	Flanges drilled PN (See table)
Mediums	Clear water

Nomenclature and materials

N°	Designation	Materials	EURO	ANSI
1	Body	Cast iron / Epoxy	EN-GJL-250	ASTM A 48 35 B
2	Float	PE (polyethylene)		
3	Closing system	PVC		
4	Stem	PA (polyamide)		
5	Seal	Polyurethane		
5	Seal DN 100	NBR (nitrile)		
6	Drain	Stainless steel	X5CrNiMo17-12-2	AISI 316
7	Upper plate	Steel / Epoxy		
8	Seal	NBR (nitrile)		
9	Cap	Cast iron / Epoxy	EN-GJL-250	ASTM A 48 35 B
10	Ball valve M/F	Chrome plated brass	CuZn40Pb3	
11	Plug	Brass	CuZn40Pb3	
12	Ball valve M/F	Chrome plated brass	CuZn40Pb3	
13	Protection cap	PE (polyethylene)		
14	Rod	Stainless steel	X5CrNi18-10	AISI 304
15	Nut	Stainless steel	X5CrNi18-10	AISI 304
16	Nut	Stainless steel	X5CrNi18-10	AISI 304



Approvals

ACS

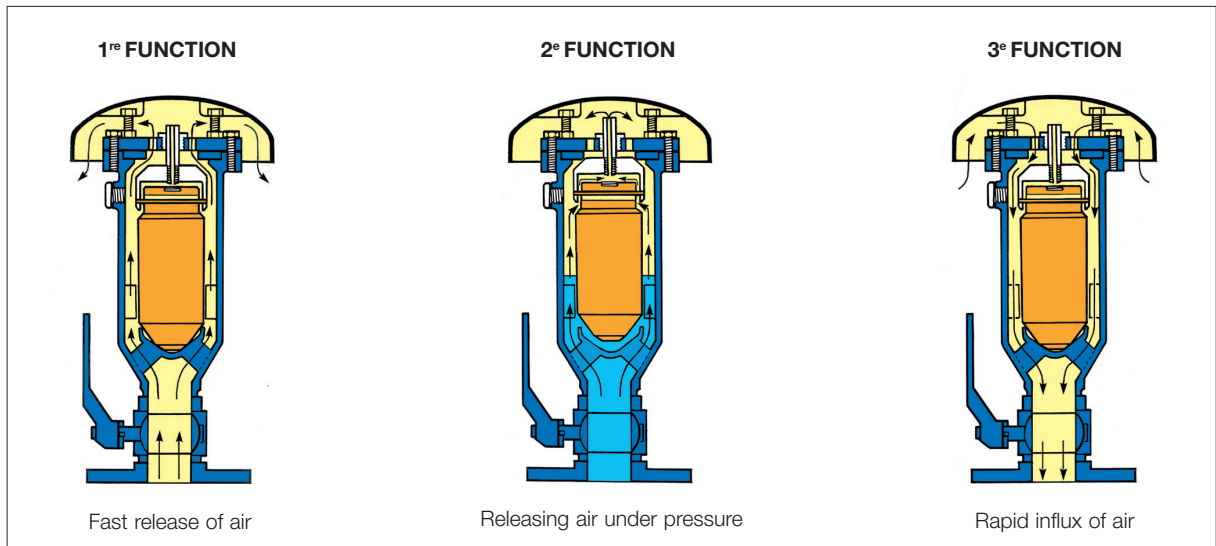
International construction Standards :
Flange drilling according to EN1092-2

Application

Triple function air valve for clear water.

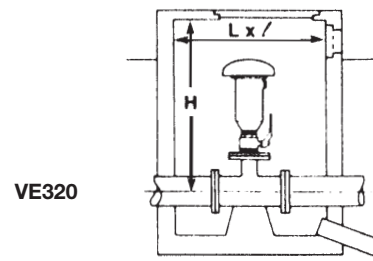
Fonctionnement

This model VE320 ensures continuous and automatic evacuation, but also influx and release of air at fast speed.



Installation

DN	H	L x l	Filtered air inlet
mm	mm	mm	mm
50-40 / 60-65	1100	600 x 600	150 x 150
80	1200	600 x 600	200 x 200
100	1300	600 x 600	300 x 300

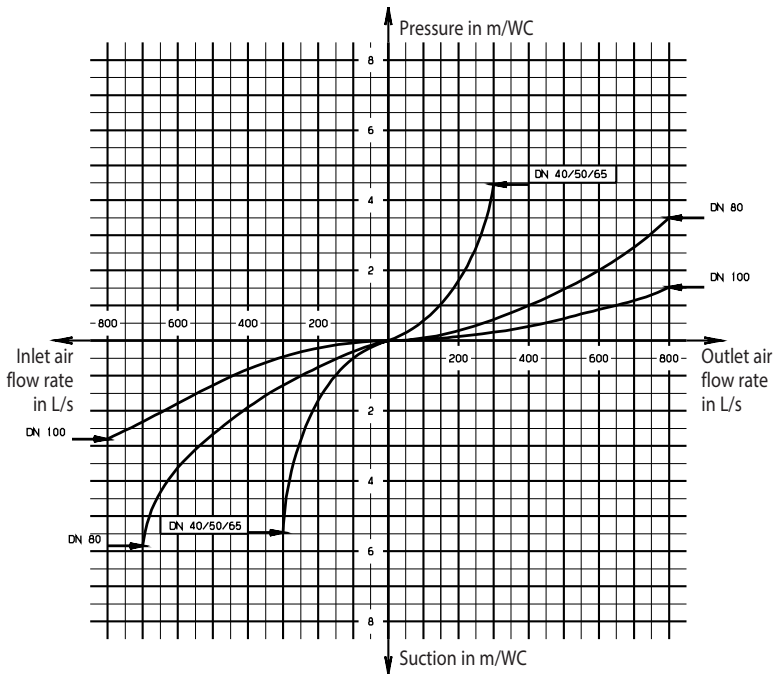


Maintenance

To ensure proper operation of the VE320, just open the drain valve :

- a spray of water means proper operation
- a pressurized air outlet indicates that the air valve has not performed its function, hence the need to clean the unit

Operation



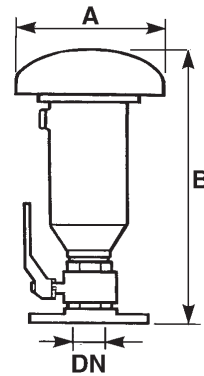
VE320 - Bend flow/pressure

Sizing

DN	For pipe	A	B
	∅ mm	mm	mm
40-50-60	< 200	196	380
65	< 200	196	375
80	< 500	224	350
100	< 1000	224	400

With stop valve : (for other DN, please consult us)

40-50-60	< 200	196	465
65	< 200	196	456



VE320

The descriptions and photographs contained in this product specification sheet are supplied by way of information only and are not binding.

Socla reserves the right to carry out any technical and design improvements to its products without prior notice. Warranty : All sales and contracts for sale are expressly conditioned on the buyer's assent to Socla terms and conditions found on its website at www.socla.com. Socla hereby objects to any term, different from or additional to Socla terms, contained in any buyer communication in any form, unless agreed to in a writing signed by an officer of Socla.



A WATTS Brand

Socla sas

365 rue du Lieutenant Putier • 71530 Virey-Le-Grand • France

Tel. +33 03 85 97 42 00 • Fax +33 03 85 97 42 42

contact@wattswater.com • www.socla.com

ISO 9001 version 2015 / ISO 18001