

V665 PAP

Ball valve

Shut off system

Technical Data Sheet



Description

- Can equip on all types of installations from heating systems, home water installations to heavy duty industrial applications at high pressure and temperature.
- Reduced bore



V665 PAP

Ball valve - Shut off system

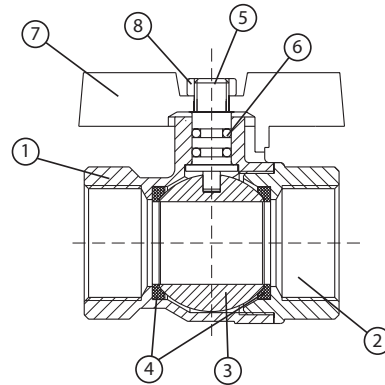
| DN | | PFA in bar | Ref. | Weight Kg |
|-----|----|---------------|-----------------|--------------|
| " | mm | | | |
| 1/4 | 8 | 20 | 149B5112 | 0,084 |
| 3/8 | 10 | 20 | 149B5113 | 0,084 |
| 1/2 | 15 | 20 | 149B5114 | 0,124 |
| 3/4 | 20 | 20 | 149B5115 | 0,187 |
| 1 | 25 | 20 | 149B5116 | 0,280 |

Technical features

| | |
|---|------------------------------|
| Operating temperature | -20 °C to 80 °C |
| Permissible operating pressure (PFA) in water | See table above |
| Connection | Female / female, (BSPP) |
| Mediums | Drinking water and hot water |

Nomenclature and materials

| N° | Description | Materials |
|----|---------------|-----------|
| 1 | Body | Brass |
| 2 | Nipple | Brass |
| 3 | Ball | Brass |
| 4 | Seat seal | PTFE |
| 5 | Stem | Brass |
| 6 | O-ring | NBR |
| 7 | Hand nut | ZAMAK |
| 8 | Locking screw | Steel |



Approvals

ACS

International construction Standards :
Thread connection according to EN ISO 228-1

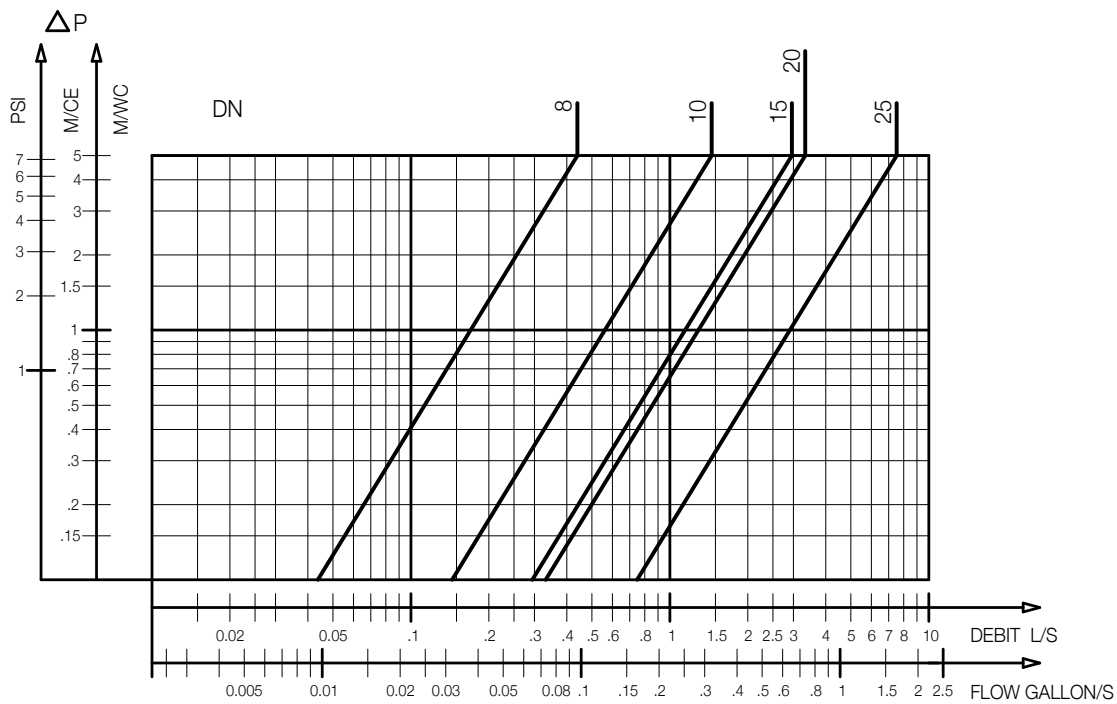
Application

General process, heating and multi-fluid application.

Operation

Direction for use :

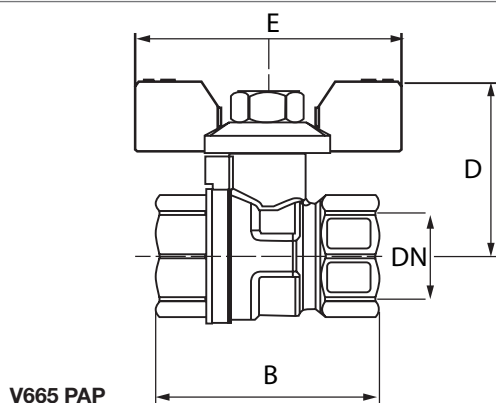
- Solid line: Valve completely open
- Dotted line: opening stage of valve



V665 PAP - Headloss chart

Sizing

| DN | | B | D | E |
|-----|-------|----|----|----|
| " | mm | mm | mm | mm |
| 1/4 | 8/13 | 40 | 32 | 49 |
| 3/8 | 12/17 | 41 | 32 | 49 |
| 1/2 | 15/21 | 46 | 39 | 56 |
| 3/4 | 20/27 | 51 | 41 | 56 |
| 1 | 26/34 | 63 | 46 | 80 |



The descriptions and photographs contained in this product specification sheet are supplied by way of information only and are not binding.

Socla reserves the right to carry out any technical and design improvements to its products without prior notice. Warranty : All sales and contracts for sale are expressly conditioned on the buyer's assent to Socla terms and conditions found on its website at www.socla.com. Socla hereby objects to any term, different from or additional to Socla terms, contained in any buyer communication in any form, unless agreed to in a writing signed by an officer of Socla.



A WATTS Brand

Socla sas

365 rue du Lieutenant Putier • 71530 Virey-Le-Grand • France

Tel. +33 03 85 97 42 00 • Fax +33 03 85 97 42 42

contact@wattswater.com • www.socla.com

ISO 9001 version 2015 / ISO 18001