

IN

Antipollution insert checkvalve - EB type
System 01

Technical Data Sheet



Description

IN checkvalves are compliant with the regulation of NF Antipollution brand.

According to the EN 1717, these EB type checkvalves are incorporated in a device, and guarantee a drinking water protection against a risk of pollution from a fluid of category 2.

The design of IN checkvalve is an advantage for OEM application with side-connection (as gauge connection). The O’ring can be mounted first and secondly the checkvalve itself. In this way the O’ring will not be damaged by sharp edges of the side-connection.

- Minimum head loss
- Noiseless operation due to a split obturator
- Does not generate hammering
- Compact and easy to fit
- Axial guidance obturator with return spring
- Absolute sealing at high or low back pressure ensured by an especially designed lip-seal
- Meets the requirements of all europeans approvals



IN

Antipollution insert checkvalve - EB type - System 01

DN		PFA in bar	PS in bar				Cat.	Ref.	Weight Kg
C	"		L1	L2	G1	G2			
15	1/2	10	10	10	10	10	4.3	149B043320	0,0017
20	3/4	10	10	10	10	10	4.3	149F043489	0,0030
25	1	10	10	10	10	10	4.3	149F043490	0,0072
32	1 1/4	10	10	10	0,5	10	4.3	149F043491	0,0150
40	1 1/2	10	10	10	0,5	10	4.3	149F043492	0,0230
50	2	10	10	10	0,5	10	4.3	149F043493	0,0560

Important notice :

The temperature and pressure indications given for the various categories of fluids (L1/L2/G1/G2) are under no circumstances a guarantee that they are suitable for your system. Therefore, it is essential to validate the use of the products under given operating conditions with our technical department.

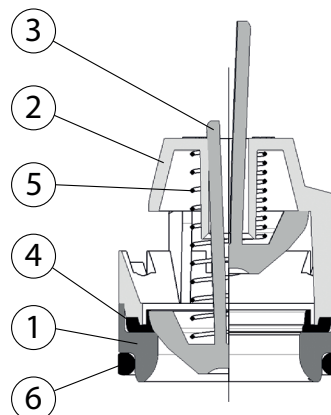
In addition, the operating instructions are available on our website www.socla.com or by simply asking our sales department.

Technical features

Operation temperatures	Continuous -10°C up to 65°C / Maxi. : 85°C (in case of an accidental peak during 1h)
Permissible operating pressure (PFA) in water	See table above
Maximum permissible pressure (PS) other mediums	See table above
Connection	Incorporation in a device
Mediums	Clear liquids, drinking water, neutral gaz

Nomenclature and materials

N°	Description	Materials
1	Body	POM (Polyacetal)
2	Guide	POM (polyacetal)
3	Obturator	POM (polyacetal)
4	Seal	EPDM
5	Spring	Stainless steel
6	O’ring	EPDM



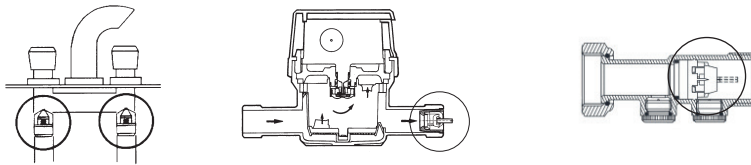
Approvals



International Construction Standards :

Specific NF brand regulation (technical doc. n°6 : antipollution checkvalve)
NF EN 13959

Application



IN checkvalves are incorporating in :

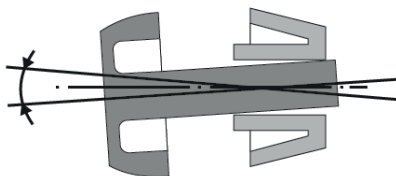
- Sanitary taps
- Thermostatic mixing valve
- Water meter
- EA antipollution devices (Basic CC, EA 251, EA 271, EA 291...)
- CA antipollution device

Fonctionnement

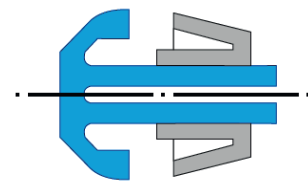
Some vibrations can occur at low flow rates. These vibrations are generated by possible lateral movements of the valve. Until now it was impossible to avoid this effect without affected hydraulic characteristics.

Thanks to the unique guide system by slotted stem that eliminates the possibility of movements and optimal hydraulic profile, vibration are eliminated.

By providing this guidance without the possibility of movements avoids calcareous deposits and vibration, ensuring a flowless and quiet operation for years.



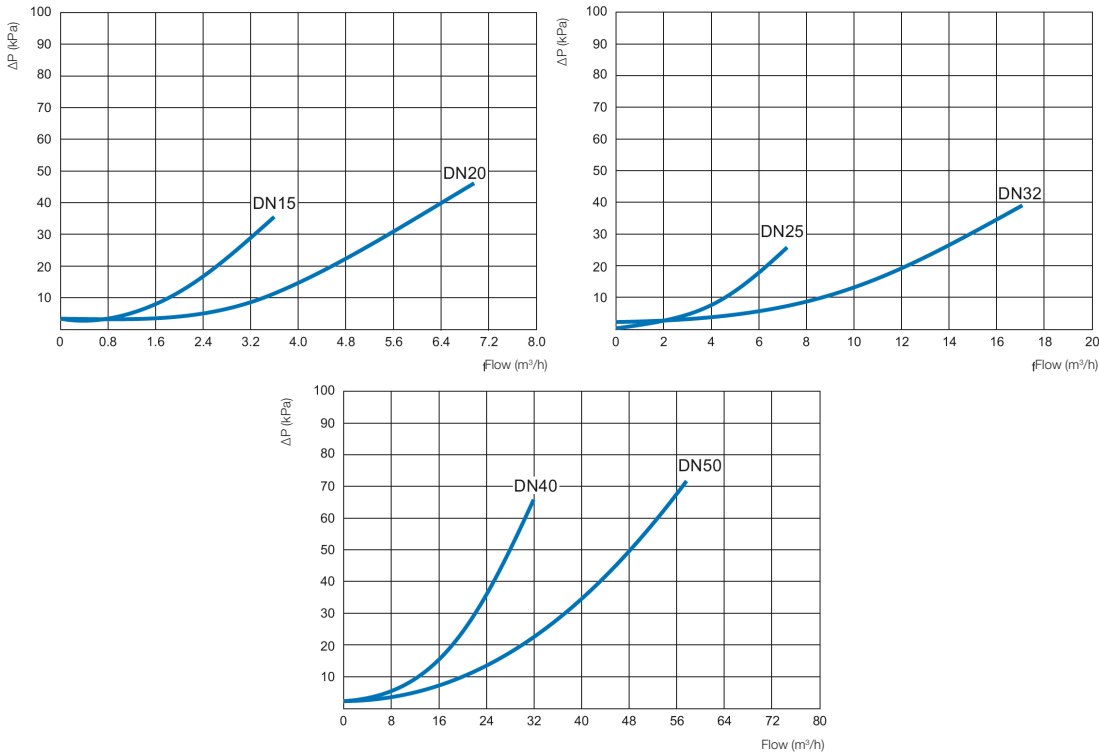
Classic obturator guidance



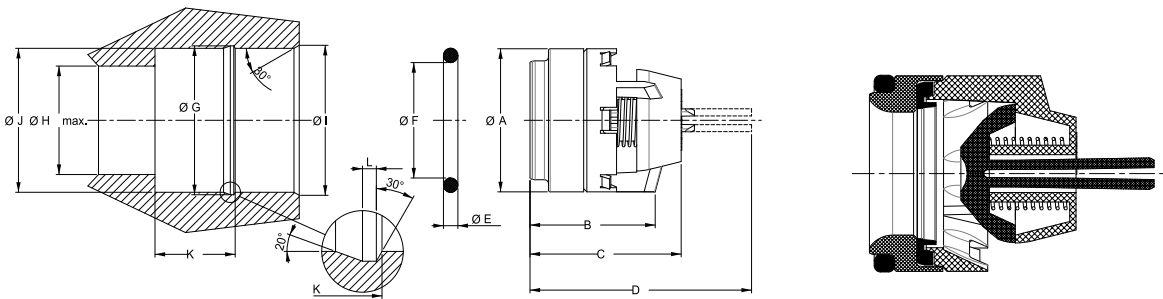
WATTS obturator guidance

Operation

IN - Headloss chart



Sizing



Ref.	DN	ØA	B	C	D	ØE	ØF	ØG	ØH	ØI	ØJ	K	L
	mm	mm	mm	mm	mm	mm	mm	mm	mm	mm	mm	mm	mm
149B043320	15	15,18 ⁰ _{-0,05}	12,2 ±0,4	15,2 ±0,5	22,80 ±0,5	1,5	12	15,8 ±0,1	11,5 ⁰ _{-0,1}	16,1 ±0,1	15,2 ^{+0,1} ₀	7,4 ^{+0,2} ₀	0,2 ^{+0,2} ₀
149F043489	20	19,78 ⁰ _{-0,05}	16,60 ±0,4	21,7 ±0,5	32,20 ±0,5	2,0	16	20,6 ±0,1	15,2 ⁰ _{-0,1}	21,1 ±0,1	19,8 ^{+0,1} ₀	10,8 ^{+0,2} ₀	0,4 ^{+0,2} ₀
149F043490	25	24,90 ⁰ _{-0,07}	21,50 ±0,4	26,0 ±0,5	35,90 ±0,5	2,5	20	25,8 ±0,1	18,8 ⁰ _{-0,1}	26,0 ±0,1	24,95 ^{+0,1} ₀	13,9 ^{+0,2} ₀	0,6 ^{+0,2} ₀
149B04391	32	31,70 ±0,07	26,65 ±0,4	34,45 ±0,5	51,45 ±0,5	2,95	26,61	32,9 ±0,1	24,2 ⁰ _{-0,1}	33,1 ±0,1	31,90 ^{+0,1} ₀	17,0 ^{+0,2} ₀	0,8 ^{+0,2} ₀
149B04392	40	39,30 ±0,10	33,30 ±0,4	40,75 ±0,5	61,10 ±0,5	3,53	32,92	41,2 ±0,1	30,1 ⁰ _{-0,1}	41,2 ±0,1	39,5 ^{+0,1} ₀	20,15 ^{+0,2} ₀	1,0 ^{+0,2} ₀
149B04393	50	49,40 ±0,10	45,8 ±0,4	54,10 ±0,5	75,30 ±0,5	4,0	42	51,9 ±0,1	37,7 ⁰ _{-0,1}	51,1 ±0,1	49,6 ^{+0,1} ₀	24,3 ^{+0,2} ₀	1,2 ^{+0,2} ₀

The descriptions and photographs contained in this product specification sheet are supplied by way of information only and are not binding.

Socla reserves the right to carry out any technical and design improvements to its products without prior notice. Warranty : All sales and contracts for sale are expressly conditioned on the buyer's assent to Socla terms and conditions found on its website at www.socla.com. Socla hereby objects to any term, different from or additional to Socla terms, contained in any buyer communication in any form, unless agreed to in a writing signed by an officer of Socla.



A WATTS Brand

Socla sas

365 rue du Lieutenant Putier • 71530 Virey-Le-Grand • France

Tel. +33 03 85 97 42 00 • Fax +33 03 85 97 42 42

contact@wattswater.com • www.socla.com

ISO 9001 version 2015 / ISO 18001