

Technical data sheet

Type 7 bis

Pressure reducing valve

Desbordes®

Applications and special features



- Control and maintain the downstream pressure at an adjustable reduced value, whether there is a flow or not.
- Keep an outlet pressure at a constant value, even by variation of the upstream pressure (the down-stream pressure cannot vary more than 10 % of the variation of the upstream pressure, according to the Standard).
- No maintenance required, not affected by scale or dirt.
- Can be installed in any position.
- Guarantee a high flow rate at a constant outlet pressure because of low head loss.
- Work as pressure reducing valve (standard terminology) as well as "regulator" and as "pressure regulating valve" (when applies for gas).
- Downstream setting : 1bar to 5.5 bar; indicative value according to EN1567.
- Adjustable : supplied pre-set at 3 bar.
- Equipped with 2 plugs 1/4" on each side to allow the mounting of downstream pressure gauge and drain.

Technical description

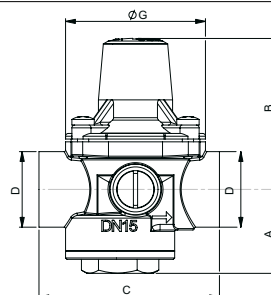
DN	PFA (bar)	PS (bar)				Cat.	References	Vvs-nr
		L1	L2	G1	G2			
1/2	15	16	16	X	16	3.3	149B7209	
3/4	20	16	16	X	16	3.3	149B7210	
1"	25	16	16	X	16	3.3	149B7552	
1"1/4	32	16	16	X	16	3.3	149B7553	
1"1/2	40	16	16	X	16	3.3	149B7554	
2"	50	16	16	X	16	3.3	149B7555	

L1, L2, G1 and G2 correspond to liquids/gas classified into degree of danger according to the Pressure Equipment Directive (PED). The article 3.3 applies to equipments with no CE marking.

- **Connection** : female/female, BSP thread
- **2 plugs 1/4" on each side for downstream pressure gauge.** : 1/4"
- **Permissible operating pressure PFA - water** : See table
- **Maximum permissible pressure PS - other mediums** : See table
- **θ** : Mini. -10 °C
Maxi. in permanent service 80 °C
40°C domestic fuel oil (except DN 15 & 20)
- **Mediums** : water, air - neutral gas,
domestic fuel oil (except DN 15 & 20)
- **Approvals** : ACS
- **International construction Standards** : Pressure reducing valves EN 1567
Thread connection NF EN ISO 228

Overall dimensions

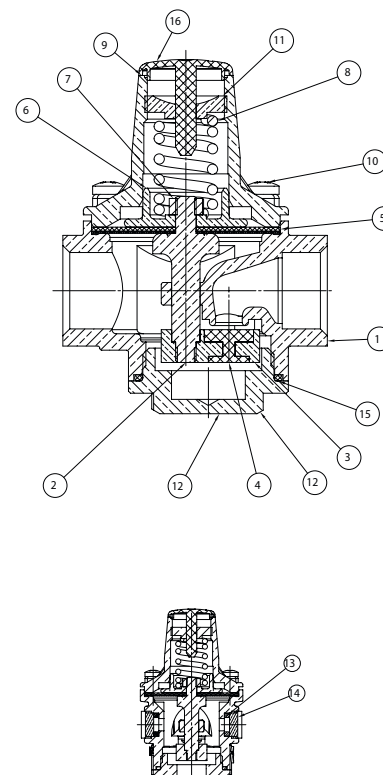
DN	D		A	B	C	G	Weight
	"	mm	mm	mm	mm	mm	
15	1/2	15/21	30	56	64,5	50	0,5
20	3/4	20/27	33,5	61	70	57	0,6
25	1"	26/34	30	68	81	70	0,95
32	1"1/4	33/42	34,5	91	97	81	1,55
40	1"1/2	40/49	36,5	106	110	92	2,05
50	2"	50/60	45,5	106	135	120	3,70



Technical data sheet Type 7 BIS - Pressure reducing valve

Spare parts list and materials

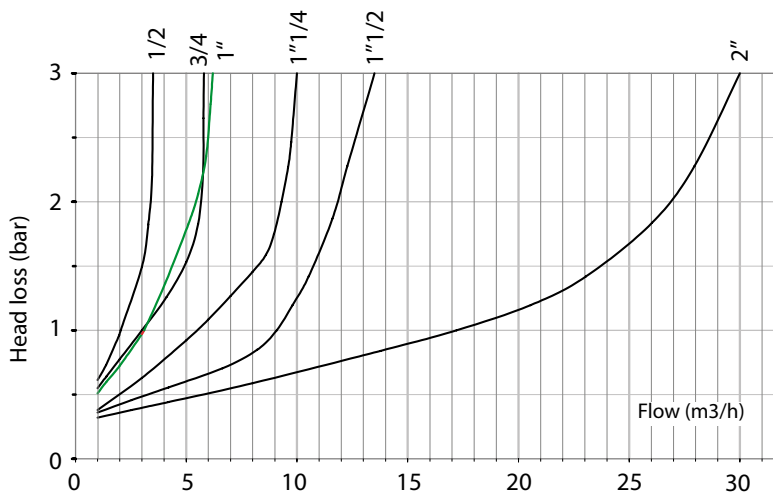
Nb	Description	Material	EURO	ANSI
1	CASING	Bronze	CuPb5Zn5Sn5-C	ASTM B 505
2	STEM	DZR brass	CuZn36 Pb As	
3	SEAL BOX	Brass	CuZn39Pb3	ASTM B 124
4	SEAL DN 15-20 DN 25-50	EPDM NBR		
5	MEMBRANE	NBR/Polyamide		
6	MEMBRANE WASHER	Brass	CuZn39Pb3	ASTM B 124
7	NUT	Stainless steel	X5CrNi 18-10	AISI 304
8	SCREW	Stainless steel	X5CrNi 18-10	AISI 304
9	CAP	Brass	CuZn40Pb2	ASTM B 124
10	SPRING	Anticorrosive steel	SH	
11	ADJUSTING SCREW	Brass	CuZn39Pb3	ASTM B 124
12	CAP COVER	Brass	CuZn39Pb3	ASTM B 124
13	O-RING	NBR (Nitrile)		
14	PRESSURE GAUGE CAP	Brass	CuZn39Pb3	ASTM B 124
15	FLAT RING	NBR (Nitrile)		
16	PLUG	Plastic		



Working principle

DN (mm)	Kv	Q max	Q at 2m/s
15	2	3.5	1.27
20	3	5.8	2.26
25	3.1	6.2	3.53
32	5.5	10	5.8
40	9.3	13.5	9
50	17.4	30	14

Kv : Flow in m³/h when the outlet pressure become 1 bar lower than its setting at zero.



Setting data : upstream 8 bar/downstream 3 bar

Socla can accept no responsibility for possible errors in catalogue, brochures and other printed material. Socla reserve the right to alter its products without notice. This also applies to products already agreed. All trademarks in this material are the property of the respective companies. All right reserved.

Socla SAS

365 rue du lieutenant Putier
71530 VIREY LE GRAND
Postal address : BP 10273
71107 CHALON SUR SAONE Cedex

Tel : 33 3 85 97 42 52
Fax : 33 3 85 97 97 42
<http://www.socla.com>
e-mail: commerfr@socla.com