

302PV

Non-return foot valves

System 02

Technical Data Sheet



Description

Valve with very wide range of applications, prevents water hammering, noiseless and a quality, value for money choice.

- Operates in any position from horizontal to vertical ascending
- Minimum head loss
- Silent, reliable sealing, compact
- Exceptional robustness
- Does not generate hammering
- Closing system : long back axial guiding for reduced displacement
- Sealing guaranteed by a FKM flat seal
- Return spring



302PV

Non-return foot valves - System 02

DN	PN	PFA in bar	PS in bar				Cat.	Ref.	Weight Kg
			L1	L2	G1	G2			
2	50	10/16	16	16	x	x	4.3	149B2750	4,3
2 1/2	65	10/16	16	16	x	x	4.3	149B2751	6,4
3	80	10/16	16	16	x	x	4.3	149B2752	9,3
4	100	10/16	16	16	x	x	4.3	149B2753	13,6

*Others flange drilling PN, consult us

Important notice :

The indicated pressure for the different categories of fluids (L1/L2/G1/G2) is under no condition a guarantee of use. Therefore, it is essential to validate the use of products under given operating conditions.

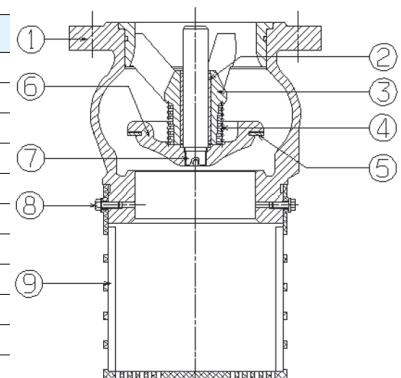
Technical features

Operating temperature	-10 °C to 80 °C
Permissible operating pressure (PFA) in water	See table above
Maximum permissible pressure (PS) other mediums	See table above
Connection	Flange drilled PN (see table)
Mediums	Clear liquids, hydrocarbons

Nomenclature and materials

N°	Description	Materials	EURO	ANSI
1	Body	Cast iron / Epoxy	EN 1561 EN-GJL-250	ASTM A 48 35 B
2	Ring	Except DN 50 Bronze	EN 1982 CuSn5Zn5Pb2-C GS	
3	Guide	DN 50 Bronze	EN 1982 CuSn5Zn5Pb2-C GS	
		DN 65 to 100 Cast iron / Epoxy	EN 1561 EN-GJL-250	ASTM A 48 35 B
4	Spring	Stainless steel	EN 10270-3 X10CrNi18-8	AISI 302
5	Seal	FKM		
6	Closing system	DN 80-100 Cast iron / Epoxy	EN 1561 EN-GJL-250	ASTM A 48 35 B
		DN 50-65 : one-piece Bronze	EN 1982 CuSn5Zn5Pb2-C GS	
7	Stem	DN 80-100 Bronze	EN 1982 CuSn5Zn5Pb2-C GS	
8*	Screw	White galvanized steel		
9	Strainer	PP (polypropylen)		

*Option stainless steel screws, consult us



Approvals



International construction Standards :
Directive 2014/68/UE
Flange drilling according to EN 1092-2

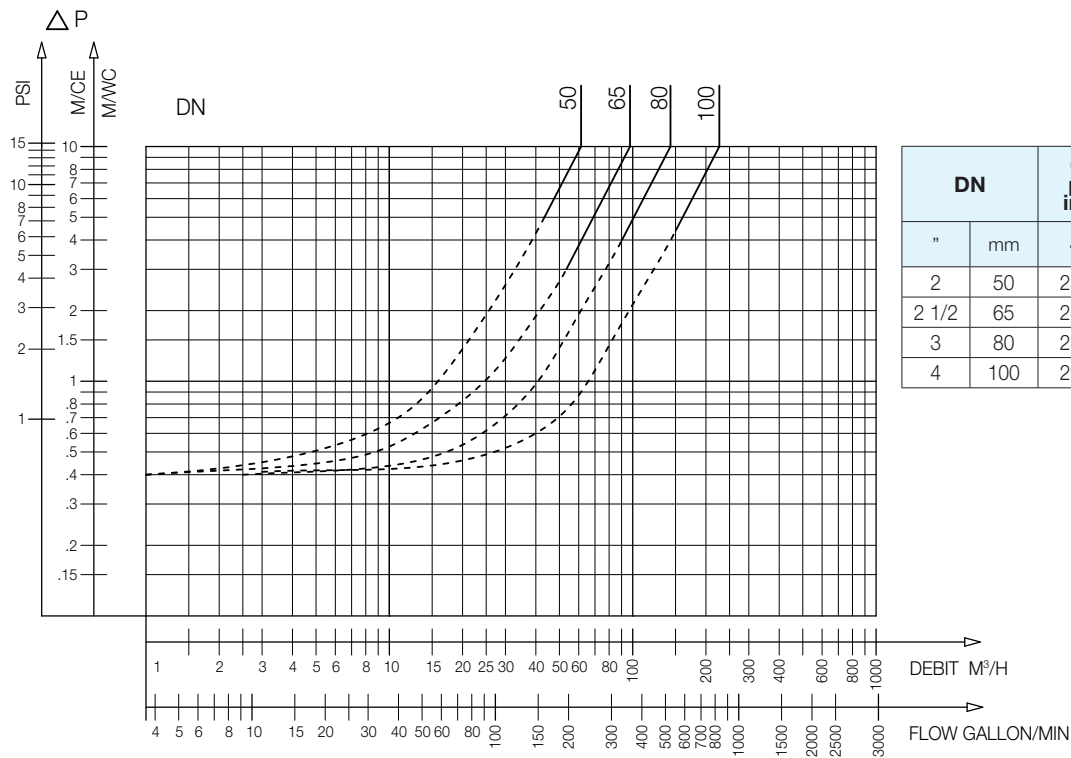
Application

Hydrocarbon pumping.

Operation

Direction for use :

- Solid line: Valve completely open
- Dotted line: opening stage of valve

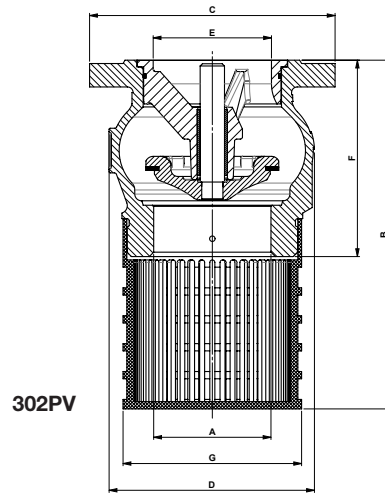


DN		Opening pressure in mm CE		Kv	ζ
"	mm	↑	Without spring	m³/H	
2	50	230	110	61,4	2,65
2 1/2	65	240	130	97,5	3
3	80	280	130	143	3,2
4	100	290	130	227	3,1

302PV - Headloss chart

Sizing

DN	A	B	C	D	E	F	G	
"	mm							
2	50	52	171	165	99	54	100	86
2 1/2	65	66	212	185	127	68	125	107
3	80	82	257	200	153	82	147	130
4	100	105	313	220	184	106	176	160



The descriptions and photographs contained in this product specification sheet are supplied by way of information only and are not binding. Socla reserves the right to carry out any technical and design improvements to its products without prior notice. Warranty : All sales and contracts for sale are expressly conditioned on the buyer's assent to Socla terms and conditions found on its website at www.socla.com. Socla hereby objects to any term, different from or additional to Socla terms, contained in any buyer communication in any form, unless agreed to in a writing signed by an officer of Socla.



A WATTS Brand

Socla sas

365 rue du Lieutenant Putier • 71530 Virey-Le-Grand • France

Tel. +33 03 85 97 42 00 • Fax +33 03 85 97 42 42

contact@wattswater.com • www.socla.com

ISO 9001 version 2015 / ISO 18001