

Technical data sheet

Type 261

EB anti-pollution non-return valve

01 System

Applications and special features



- Operates in any position
- Minimum head loss
- Silent and robust
- Does not generate hammering
- 1 downstream boss drilled 1/4" with plug
- Closing system : double axial guiding with return spring
- Excellent sealing at high as well as at low pressure ensured by a specially designed lip ring-seal.

Technical description

DN	PFA (bar)	PS (bar)				Cat.	References	Vvs-nr
		L1	L2	G1	G2			
3/4	10	10	10	10	10	3.3	149B 2210	
1	10	10	10	10	10	3.3	149B 2211	

Important notice :

The indicated pressure for the different categories of fluids (L1/L2/G1/G2) is under no condition a guarantee of use. Therefore, it is essential to validate the use of products under given operating conditions.

- **Connection** : male/male, BSP thread
- **Permissible operating pressure PFA - water-** (for supply, distribution and disposal of water) : See table
- **Maximum permissible pressure PS - other mediums** : See table

• **T°** : Mini. -10 °C
Maxi. 80 °C

• **Mediums** : Clear liquids, gas

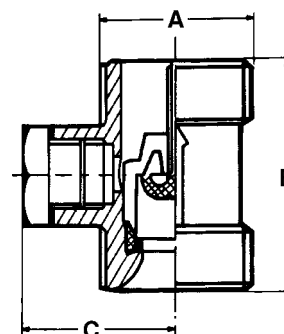
• **Approvals** : ACS

• **Other approval available** : **kiwa** : consult us

• **International construction Standards** :
NF Antipollution according to NF EN 13959 - EN1717
Thread connection according to NF EN ISO 228-1 ou ISO 7.1

Overall dimensions

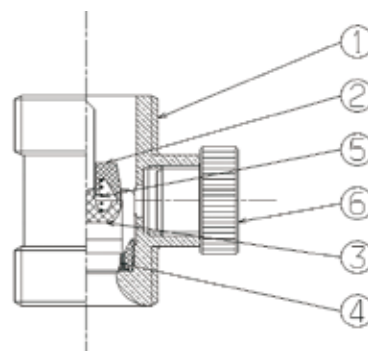
DN	Connection	A	B	C	Weight
"	"	mm	mm	mm	kg
1/2	3/4	20/27	39	27,0	0,105
3/4	1	26/34	47	30,5	0,160



Technical data sheet Type 261 - EB anti-pollution non-return valve

Spare parts list and materials

Nr	Description	Material	EURO	ANSI
1	CASING	Brass	CUZn39Pb2	ASTM B124
2	GUIDE	PPO		
3	CLOSING SYSTEM	POM (polyacetal)		
4	SEAL DN 1/2" SEAL DN 3/4"	EPDM NBR (Nitrile)		
5	SPRING	Stainless steel	X10CrNi18-8	AISI 302
6	PLUG SEAL	POM (polyacetal) EPDM		

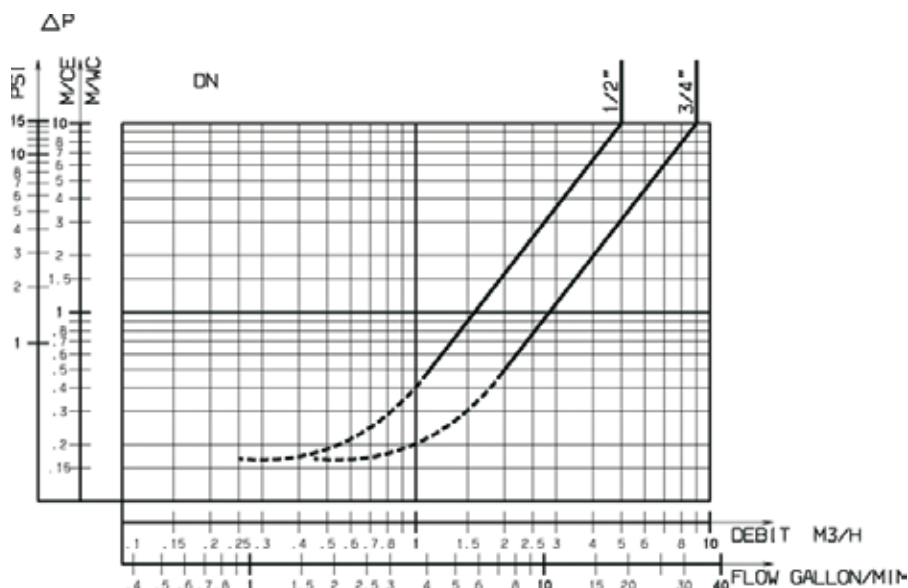


Working principle

DN	Opening pressure (in mm WC)	Kv	ζ
"		m ³ /H	
1/2	between 50 and 200	5,0	3,10
3/4		9,0	3,00

Direction for use :

- Solid line : Valve completely open
- Dotted line : opening stage of valve



Socla can accept no responsibility for possible errors in catalogue, brochures and other printed material. Socla reserve the right to alter its products without notice. This also applies to products already agreed. All trademarks in this material are the property of the respective companies. All right reserved.

Socla SAS

365 rue du lieutenant Putier
71530 VIREY LE GRAND
Postal address : BP 10273
71107 CHALON SUR SAONE Cedex

Tel : 33 3 85 97 42 52
Fax : 33 3 85 97 97 42
<http://www.socla.com>
e-mail: commer@socla.com