

## Technical data sheet

# Type 251SPU

## EA antipollution non-return valve

### Applications and special features



- Operates in any position
- Minimum head loss
- Silent and robust
- Does not generate hammering
- Closing system : double axial guiding with return spring
- Excellent sealing at high as well as at low pressure ensured by a specially designed lip ring-seal.
- Drilled bosses 1/8» with brass purges with hand wheel

### Technical description

| C  | DN | PFA<br>(bar) | PS (bar) |    |    |    | Cat. | References   | Vvs-nr |
|----|----|--------------|----------|----|----|----|------|--------------|--------|
|    | mm |              | L1       | L2 | G1 | G2 |      |              |        |
| 15 | 40 | 10           | 10       | 10 | 10 | 10 | 3.3  | 149B 3511SPU |        |

C = water meter

#### Important notice:

The indicated pressure for the different categories of fluids (L1/L2/G1/G2) is under no condition a guarantee of use. Therefore, it is essential to validate the use of products under given operating conditions.

- **Connection** : Female/Male BSP thread, with union nut
- **Permissible operating pressure PFA - water-** (for supply, distribution and disposal of water) : See table
- **Maximum permissible pressure PS - other mediums** : See tableau

• **θ** Maxi. 80 °C

• **Mediums** : Clear liquids

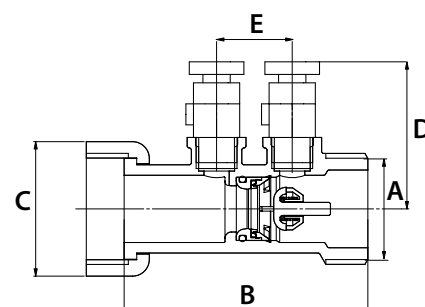
• **Approvals** : ACS

• **International construction Standards** :

NF Antipollution according to NF EN 13959 - NF EN1717  
Thread connection according to NF E 03-005 ISO 228

### Overall dimensions

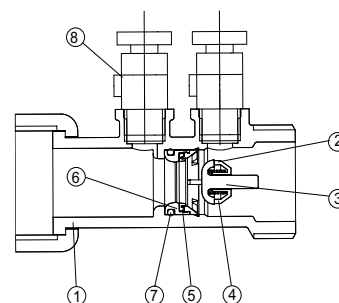
| Connections A |       | B  | C  | D  | E  | Weight |
|---------------|-------|----|----|----|----|--------|
| "             | mm    | mm | mm | mm | mm | kg     |
| 3/4           | 20/27 | 58 | 30 | 40 | 18 | 0,20   |



## Technical data sheet Type 251SPU - EA antipollution non-return valve

### Spare parts list and materials

| Nb | Description    | Materials        | EURO        | ANSI |
|----|----------------|------------------|-------------|------|
| 1  | CASING         | Brass            | CuZn40Pb2   |      |
| 2  | GUIDE          | POM (Polyacetal) |             |      |
| 3  | CLOSING SYSTEM | POM (Polyacetal) |             |      |
| 4  | SPRING         | Stainless steel  | X10CrNi18-8 |      |
| 5  | SEAL           | NBR              |             |      |
| 6  | SEAT           | POM (Polyacetal) |             |      |
| 7  | SEAL           | EPDM             |             |      |
| 8  | DRAIN COCK     | Brass            | CuZn39Pb3   |      |

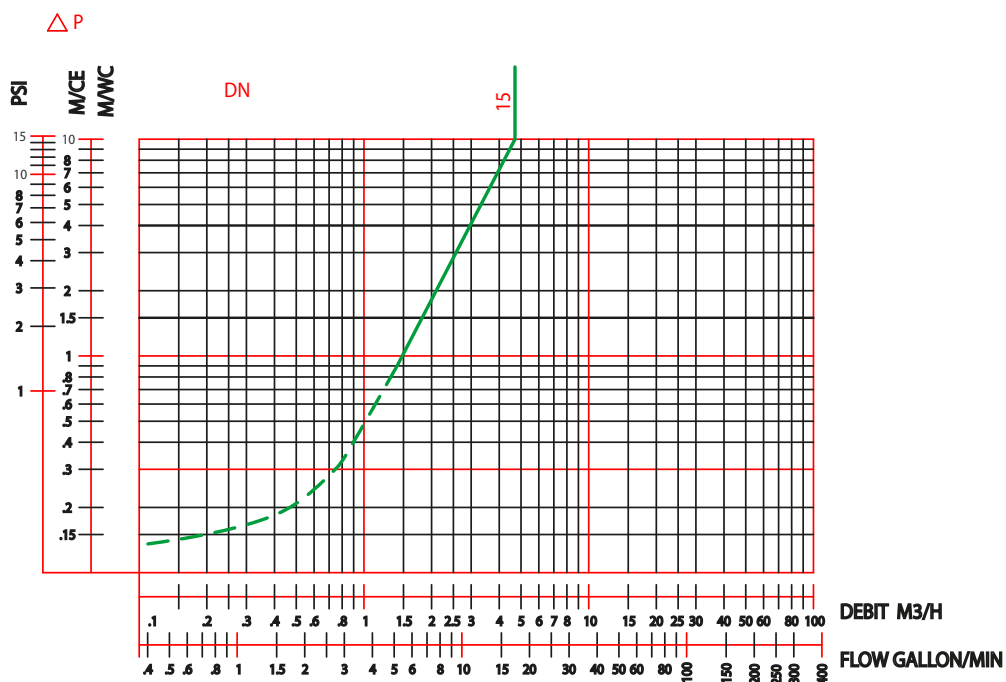


### Working principle

| DN |     | Kv                | ζ   |
|----|-----|-------------------|-----|
| C  | "   | m <sup>3</sup> /H |     |
| 15 | 1/2 | 4,7               | 3,7 |

#### Direction for use :

- Solid line : Valve completely open
- Dotted line : opening stage of valve



Socla can accept no responsibility for possible errors in catalogue, brochures and other printed material. Socla reserve the right to alter its products without notice. This also applies to products already agreed. All trademarks in this material are the property of the respective companies. All right reserved.

### Socla SAS

365 rue du lieutenant Putier  
71530 VIREY LE GRAND  
Postal address : BP 10273  
71107 CHALON SUR SAONE Cedex

Tel : 33 3 85 97 42 52  
Fax : 33 3 85 97 97 42  
<http://www.socla.com>  
e-mail: [commer@socla.com](mailto:commer@socla.com)