

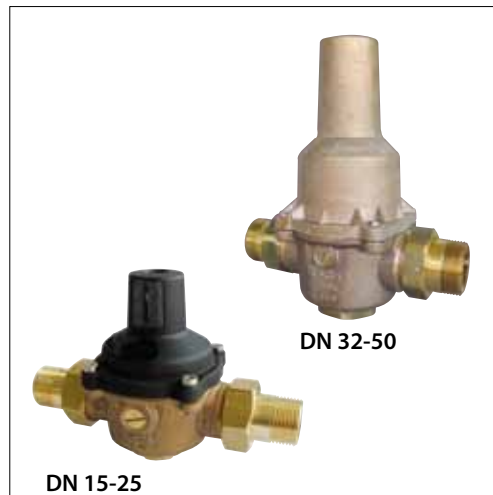
Technical data sheet

Type 11 DO

Pressure reducing valve

Desbordes®

Applications and special features



- Control and maintain the downstream pressure at an adjustable reduced value, whether there is a flow or not.
- Keep an outlet pressure at a constant value, even with variation of the upstream pressure (the down-stream pressure cannot vary more than 10 % of the variation of the upstream pressure, according to the Standard).
- No maintenance required, not affected by scale or dirt.
- Can be installed in any position.
- Guarantee a high flow rate at a constant outlet pressure because of low head loss.
- Work as pressure reducing valve (standard terminology) as well as "regulator" and as "pressure regulating valve" (when applies for gas).
- Downstream setting : 1bar to 5,5 bar; indicative value according to EN1567
- Supplied pre-set at 3 bar
- 2 pressure gauge connections (DN1/4") and drain at both sides of the casing.

Technical description

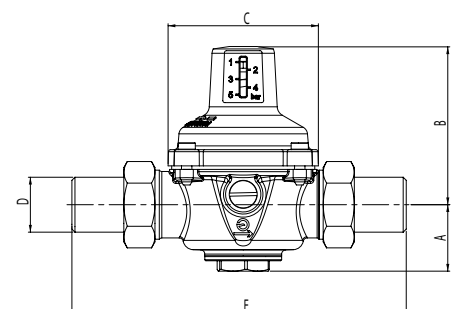
DN	PFA (bar)	PS (bar)				Cat.	References	Vvs-nr
		L1	L2	G1	G2			
1/2	15	25	25	25	X	25	3.3	149B7217
3/4	20	25	25	25	X	25	3.3	149B7218
1	25	25	25	25	X	25	3.3	149B7228
1"1/4	32	25	25	25	X	25	3.3	149B7550
1"1/2	40	25	25	25	X	25	3.3	149B7559
2"	50	25	25	25	X	25	3.3	149B7562

L1, L2, G1 and G2 correspond to liquids/gas classified into degree of danger according to the Pressure Equipment Directive (PED). The article 3.3 applies to equipments with no CE marking.

- **Connection** : male/male (BSP)
- **Downstream pressure gauge connection** : 1/4"
- **Permissible operating pressure PFA - water** : See table
- **Maximum permissible pressure PS - other mediums** : See table
- **θ** : Mini. -10 °C
Maxi. in permanent service: 80 °C
(40°C domestic fuel oil)
- **Mediums** : water, air and neutral gas , domestic fuel oil.
- **Approvals** : ACS - **WRAS**
- **International construction Standards** :
Pressure reducing valves EN 1567
Thread connection NF EN ISO 228

Overall dimensions

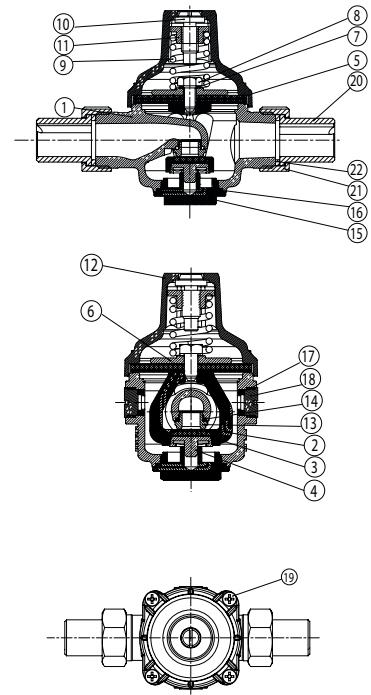
DN	D		A	B	C	E	Weight
	"	mm	mm	mm	mm	mm	kg
15	1/2	15/21	31	60	59	140	0,9
20	3/4	20/27	32	75	73	160	1,3
25	1	26/34	40	102	94	180	2,5
32	1"1/4	33/42	51	179	104	200	4,6
40	1"1/2	40/49	46	185	104	220	5
50	2"	50/60	54	194	104	250	5,5



Technical data sheet Type 11 DO - Pressure reducing valve

Spare parts list and materials

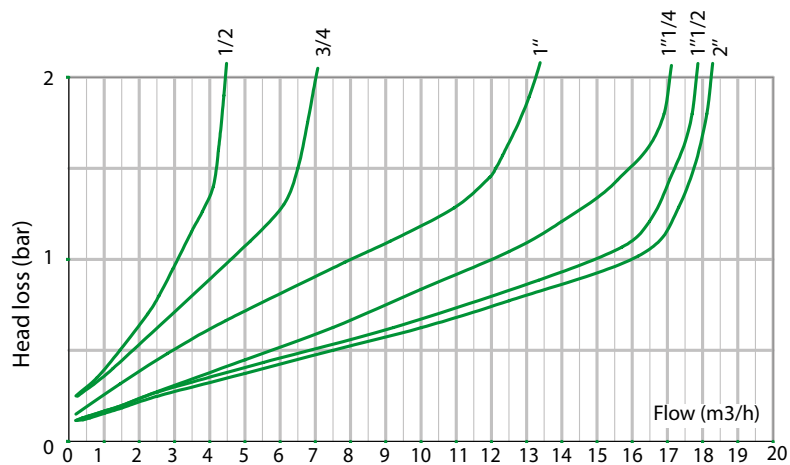
Nb	Description	Material	EURO	ANSI
1	CASING	bronze	CuSn5Zn5Pb5-C	ASTM B 505
2	STIRRUP DN 15 - 25 mm DN 32 - 50 mm	Brass	CuZn40PB2 CuAl9	ASTM B 124
3	SEAL	NBR (Nitrile)		
4	PLATE	Brass	CuZn39Pb3	ASTM B 124
5	MEMBRANE	NBR/Polyamide		
6	MEMBRANE WASHER	Brass	CuZn39Pb3	ASTM B 124
7	COPPER WASHER	Copper		
8	SCREW	Stainless steel	X5CrNi 18-10	AISI 304
9	SPRING	Anticorrosive steel	VD CrSi	
10	ADJUSTING SCREW	Brass	CuZn39Pb3	ASTM B 124
11	NUT FOR SPRING PRESSING	Brass	CuZn39Pb3	ASTM B 124
12	CAP DN 15-25 Other DN	Polyamide reinforced Bronze	CuSn5Zn5Pb5-C	ASTM B 505
13	SEAT	Stainless steel	X8CrNiS18-09	AISI 303
14	O-RING	NBR (Nitrile)		
15	CAP COVER	Brass	CuZn39Pb3	ASTM B 124
16	O-RING	NBR (Nitrile)		
17	SEAL	NBR (Nitrile)		
18	PLUG	Brass	CuZn39Pb3	ASTM B 124
19	MEMBRANE SCREW	Stainless steel	X5CrNi 18-10	AISI 304
20	NIPPLE	Brass	CuZn39Pb3	ASTM B 124
21	NUT	Brass	CuZn39Pb3	ASTM B 124
22	SEAL	Tesnit BA-U		



Working principle

DN (mm)	Kv	Q max	Q at 2m/s
15	3	5	1.6
20	4.5	8	2.8
25	8	14	3.6
32	12	18	5.8
40	15	18	9.1
50	16	18	14.2

Kv : Flow in m³/h when the outlet pressure become 1 bar lower than its setting at zero.



Socla can accept no responsibility for possible errors in catalogue, brochures and other printed material. Socla reserve the right to alter its products without notice. This also applies to products already agreed. All trademarks in this material are the property of the respective companies. All right reserved.

Socla SAS

365 rue du lieutenant Putier
71530 VIREY LE GRAND
Postal address : BP 10273
71107 CHALON SUR SAONE Cedex

Tel : 33 3 85 97 42 52
Fax : 33 3 85 97 97 42
<http://www.socla.com>
e-mail: commerfr@socla.com