

Technical data sheet

Type 11BIS and 11BIS RC

Pressure reducing valve

Desbordes®

Applications and special features



- Control and maintain the downstream pressure at an adjustable reduced value, whether there is a flow or not.
- Keep an outlet pressure at a constant value, even with variation of the upstream pressure (the down-stream pressure cannot vary more than 10 % of the variation of the upstream pressure, according to the Standard).
- No maintenance required, not affected by scale or dirt.
- Can be installed in any position.
- Guarantee a high flow rate at a constant outlet pressure because of low head loss.
- Work as pressure reducing valve (standard terminology) as well as "regulator" and as "pressure regulating valve" (when applies for gas).
- Downstream setting : 1bar to 5,5 bar; indicative value according to EN1567
- Adjustable : supplied pre-set at 3 bar.
- 1/4" pressure gauge connection and drain at both sides of the casing.
- Also available with compensating spring : type 11 bis RC, for lower downstream pressure (Setting up from 0,5 bar). (DN 15 and 20 mm)

Technical description

DN	PFA (bar)	PS (bar)				Cat.	References	Vvs-nr
		L1	L2	G1	G2			
1/2	15*	25	25	25	X	25	3,3	149B7056
3/4	20*	25	25	25	X	25	3,3	149B7057
1"	25	25	25	25	X	25	3,3	149B7314
1"1/4	32	25	25	25	X	25	3,3	149B7549
1"1/2	40	25	25	25	X	25	3,3	149B7558
2"	50	25	25	25	X	25	3,3	149B7561

Type RC

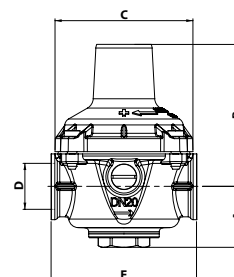
1/2	15	25	25	25	25	X	X	3,3	149B7063
3/4	20	25	25	25	25	X	X	3,3	149B7064

L1, L2, G1 and G2 correspond to liquids/gas classified into degree of danger according to the Pressure Equipment Directive (PED). The article 3.3 applies to equipments with no CE marking.

- **Connection** : female/female, (BSP)
- **Downstream pressure gauge connection** : 1/4"
- **Permissible operating pressure PFA - water** : See table
- **Maximum permissible pressure PS - other mediums** : See table
- **θ** : Mini. -10 °C
Maxi. in permanent service : 80 °C (40°C domestic fuel oil)
- **Mediums** : water, air and neutral gas , domestic fuel oil
- **Approvals** : ACS - : Type 11bis DN 15 - 25
 (11bis DN 15 & 20) - **WRAS**
- **International construction Standards** :
Pressure reducing valves EN 1567
Thread connection NF EN ISO 228

Overall dimensions

DN	D		A	B	C	E	Weight
	"	mm	mm	mm	mm	mm	kg
15	1/2	15/21	31	60	59	66	0,7
20	3/4	20/27	32	75	73	76,5	0,9
25	1"	26/34	40	102	94	98	1,9
32	1"1/4	33/42	51	179	104	126	3,9
40	1"1/2	40/49	46	185	104	132	4,2
50	2"	50/60	54	194	104	146	5,2

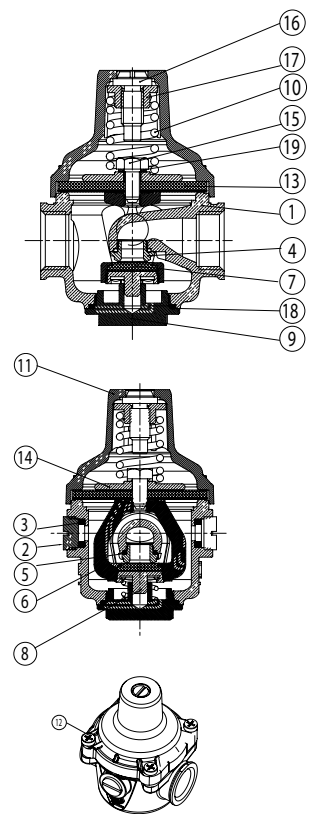


Technical data sheet Type 11BIS and 11BIS RC - Pressure reducing valve

Spare parts list and materials

Nb	Description	Material	EURO	ANSI
1	CASING	bronze	CuSn5Zn5PB5-C	ASTM B 505
2	PRESSURE GAUGE CAP	Brass	CuZn39Pb3	ASTM B 124
3	SEAL	NBR (Nitrile)		
4	SEAT	Stainless steel	X8CrNiS18-09	AISI 303
5	O-RING	NBR (Nitrile)		
6	STIRRUP DN 15 - 25 mm DN 32 - 50 mm	Brass	CuZn40PB2 CuAl9	ASTM B 124
7	FLAT SEAL	NBR (Nitrile)		
8	GUIDE PLATE	Brass	CuZn39Pb3	ASTM B 124
9	CAP COVER	Brass	CuZn39Pb3	ASTM B 124
10	SPRING	Anticorrosive steel	VD CrSi	
11	CAP DN 15 - 25 mm DN 32 - 50 mm	Brass	CuZn40PB2 CuSn5Zn5PB5	ASTM B 124
12	SCREW	Stainless steel	X5CrNi 18-10	AISI 304
13	MEMBRANE	NBR/Polyamide		
14	PLATE	Brass	CuZn39Pb3	ASTM B 124
15	MEMBRANE SCREW	Stainless steel	X5CrNi 18-10	AISI 304
16	ADJUSTING SCREW	Brass	CuZn39Pb3	ASTM B 124
17	NUT FOR SPRING PRESSING	Brass	CuZn39Pb3	ASTM B 124
18	O-RING	NBR (Nitrile)		
19	COPPER WASHER	Copper		
20*	COMPENSATING SPRING	Stainless steel	X10CrNi18-08	AISI 302

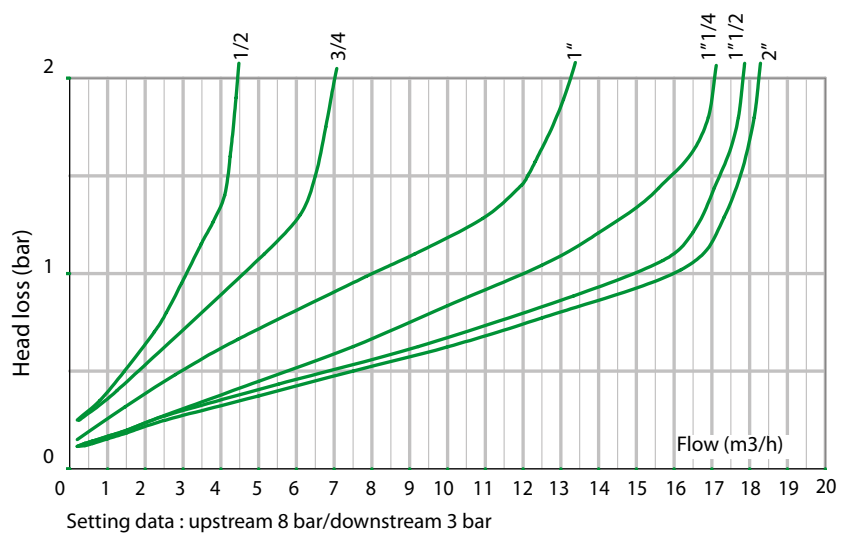
* Type 11bisrc only (DN 15 and 20)



Working principle

DN (mm)	Kv	Q max	Q at 2m/s
15	3	5	1.6
20	4.5	8	2.8
25	8	14	3.6
32	12	18	5.8
40	15	18	9.1
50	16	18	14.2

Kv : Flow in m³/h when the outlet pressure become 1 bar lower than its setting at zero.



Socla can accept no responsibility for possible errors in catalogue, brochures and other printed material. Socla reserve the right to alter its products without notice. This also applies to products already agreed. All trademarks in this material are the property of the respective companies. All right reserved.

Socla SAS

365 rue du lieutenant Putier
71530 VIREY LE GRAND
Postal address : BP 10273
71107 CHALON SUR SAONE Cedex

Tel : 33 3 85 97 42 52
Fax : 33 3 85 97 97 42
<http://www.socla.com>
e-mail: commerfr@socla.com